

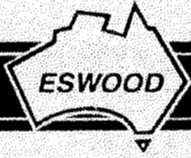


AUSTRALIA'S PREMIER FOOD SERVICE
EQUIPMENT MANUFACTURER



**Quality
Endorsed
Company**

ISO 9002 Lic No 2900
Standards Australia
Head Office



ESWOOD AUSTRALIA PTY. LTD.

EQUIPMENT PERFORMANCE REPORT

THIS MUST BE RETURNED TO:

ESWOOD AUSTRALIA PTY. LTD.

211-213 WOODPARK ROAD, SMITHFIELD NSW 2164
P.O BOX 6444 WETHERILL PARK NSW 2164
TELEPHONE: (02) 9604 7333 FAX: (02) 9604 5420
The Professionals in Dish and Glasswashing Systems

Whether your answer below is 'YES' or 'NO' it is essential that you complete this form to validate the Warranty which commences **ONE MONTH** after the purchase date.

Have you read the operating instructions?

YES	NO
<input checked="" type="checkbox"/>	<input type="checkbox"/>

If not received have you checked with your installing contractor?

YES	NO
<input type="checkbox"/>	<input type="checkbox"/>


(if you still can't locate it, write to or phone Eswood)

Is your new Eswood machine operating to your satisfaction?

YES

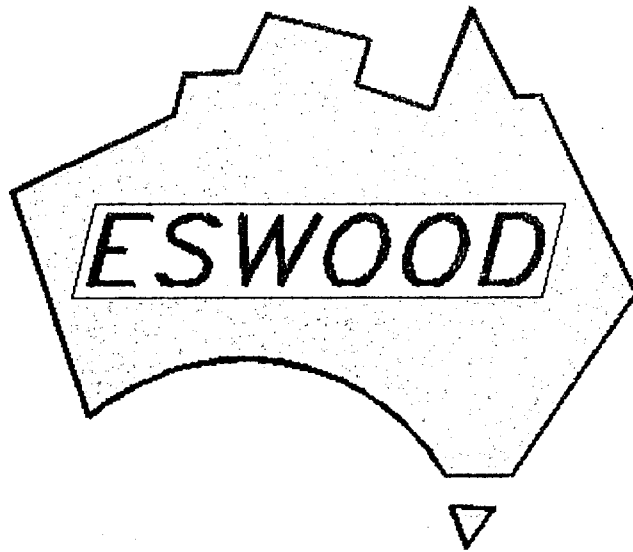
NO If 'NO' please describe the problem overleaf

NOTE: IT IS THE RESPONSIBILITY OF THE OWNER TO ENSURE THE WATER FEED TO ESWOOD DISH AND GLASSWASHERS IS OF A QUALITY THAT WILL NOT FORM EXCESSIVE BUILD UP OF CALCIUM AND OTHER DISSOLVED MINERALS ON THE HEATING ELEMENTS. PREMATURE FAILURE OF HEATING ELEMENTS THAT EXHIBIT THIS CAUSE OF FAILURE WILL NOT BE COVERED UNDER WARRANTY.

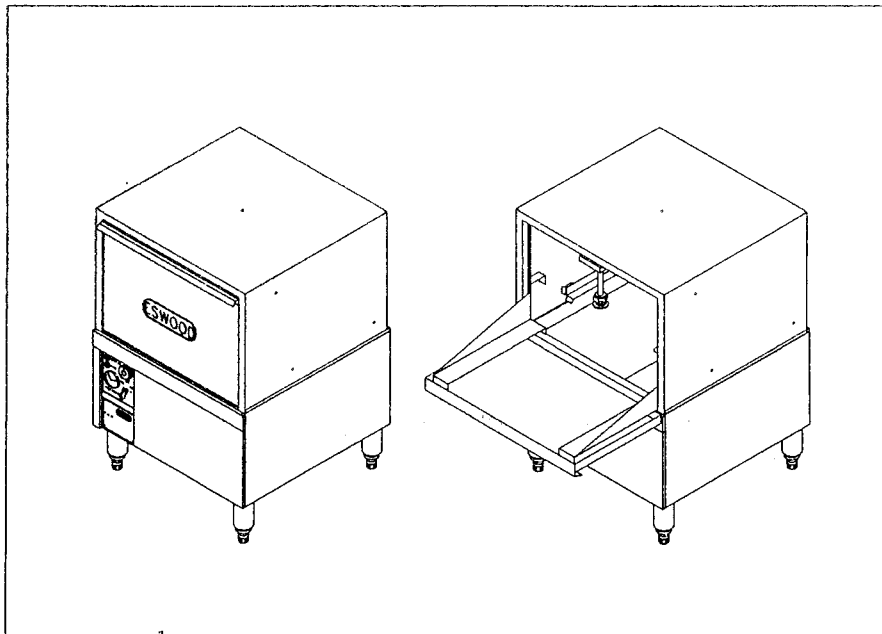
YOUR SATISFACTION IS IMPORTANT TO US 

Your machine left our factory, to the best of our knowledge in perfect operating condition. However, factors such as handling during transport, incorrect installation, specialised local conditions, etc. could affect its top performance capability. If there is a problem, WE WANT TO KNOW ABOUT IT to be able to help you get the perfect hygiene, high output and customer satisfaction thousands of Eswood users enjoy. So please fill in and send this form to us.

ESWOOD DISH OR GLASSWASHER: MODEL No UC25DP SERIAL No. 29818
FROM WHOM PURCHASED Bethmarc Appliance Service DATE OF PURCHASE 20-4-04
ADDRESS 10 Box 99 Bethmarc NSW 2628
NAME OF YOUR ESTABLISHMENT Werrina Ski Club
ADDRESS Perisher Valley
Cr. Mt. S. BRIDGES PC 2624
24 B. JONA CRESCENT
NORTHBRIDGE NSW 2663 SIGNATURE [Signature] DIRECTOR
WERRINA LODGE LIMITED



**EQUIPMENT MANUAL
FOR
UC25 COMPACT UNDER-COUNTER
DISHWASHER**



11.09.02

TABLE OF CONTENTS

1.	Important: Prior to Installation	1
2.	General Description	2
3.	Technical Specifications	3
4.	Installation	4
5.	Initial Start-up Procedure	7
6.	Washing Operation	9
7.	Shutdown and Maintenance	10
8.	Trouble Shooting	11
9.	UC-25 Export Model	14
10.	Eswood Australia Branches	15



IMPORTANT: PRIOR TO INSTALLATION

1

Installation must be carried out according to local regulations by qualified trade persons. Isolating switch(es), shut-off valves etc must be within easy reach of the machine for future service and maintenance requirements. If in doubt call ESWOOD AUSTRALIA or their representative for further information. No responsibility will be accepted for defects or damages by improper installation, for changes to the product not authorised by ESWOOD AUSTRALIA, or for operation outside the technical specifications.

ESWOOD AUSTRALIA warrants their products to be free from defects in material and workmanship under "normal use and service". This does not include normal wear and tear of parts. ESWOOD AUSTRALIA will repair or replace any parts, which in ESWOOD AUSTRALIA's sole judgement are defective in material or workmanship, in accordance with the warranty offered.

This undertaking covers the provision of labour and parts for 12 months from the date of delivery to the purchaser. This undertaking applies only to state capitals. Remote areas are not covered by this commitment and special enquires should be made. (**Note: Travel time not covered by warranty**)

In no event will ESWOOD AUSTRALIA be liable for loss of facilities or other property and such things as, but not limited to, additional labour costs, loss of revenue or anticipated profits, and other damages of any kind whether direct, indirect, incidental or consequential.

Labour under warranty is supplied free of charge during normal working hours, Monday to Friday. Should warranty work be requested outside of our normal working hours a labour charge will be applied equivalent to a normal hour rate without out of hours penalty rates. (Refer to last page of this manual for your closest branch for Warranty repair services)

Note: It is the responsibility of the owner to ensure the water feed to Eswood Dish and Glass washers is of a quality that will not form excessive build up of calcium and other dissolved minerals on the heating elements. Premature failure of heating elements that exhibit this cause of failure will not be covered under warranty.



GENERAL DESCRIPTION

2

Big Performance, Compact Size: The UC25 is a professional compact under-counter dishwasher capable of washing 500 plates every hour. It has a powerful pump and high flow wash and rinse jets that provide fast and efficient cleaning performance to ensure you stay ahead of your cutlery, crockery and glassware needs.

Convenient Design: The UC25 is mounted on legs with adjustable levelling feet for easy installation. The controls are placed below the door level so that the door is positioned at a convenient height for loading and unloading, and the generous wash chamber easily handles large 305mm diameter plates. Furthermore, the UC25-H model includes an additional base that raises the machine by 150mm.

The UC25 has an attractive and easy to clean satin finish stainless steel cabinet. Full tank width strainer pans prevent pump, drain and wash arm blockages, and wash arms, strainer pans and the overflow tube are easily accessible from the front of the machine and are all removable without tools.

Simple Automatic Operation: A variable cycle time can be selected, from 1 to 2¹/₂ minutes, to suit the load and degree of grime. Once the wash cycle is started the machine will operate automatically with rinse-aid injection, and automatic water temperature monitoring ensures a hygienic wash and high-temperature rinse. A safety switch on the door prevents accidental operation with the door open.

Easy Low Cost Installation: Simply connect the inlet hose to a hot water tap, plug the cord into a 15 Amp power point, and plumb the fast flow gravity drain to a nearby sink waste pipe. Optional powered pump-out is also available where required.



TECHNICAL SPECIFICATIONS

3

Machine Specifications

Net Weight	UC25: 68kg	UC25-H: 78kg
Hourly Capacity	500 x 305mm diameter plates/hour	
Wash Cycle Time	Variable, from 1 to 2 ¹ / ₂ minutes	
Dwell/Rinse Cycles	4 seconds/16 seconds	
Standard Equipment	Cup Rack (1) Plate Rack 500x500mm (1) Cutlery Containers (2) Water inlet hose (1)	

Wash Pump, Tank and Element

Wash Pump	220 L/min, 370 Watts
Wash Tank Capacity	20 Litres
Wash Tank Heater	500 Watts
Wash temperature	60°C approximately

Rinse Tank and Element

Rinse Tank Capacity	7 Litres
Rinse Tank Heater	2400 Watts
Rinse Temperature	82°C minimum
Water Consumption	3 ¹ / ₂ Litres per cycle

Electrical and Water Consumption

Electrical Input	240V, 50Hz, 1 phase, 15 Amps max
Water Input	65°C minimum @ 200 kPa to 400 kPa
Water Inlet	Hose with ³ / ₄ " B.S.P. fitting
Drain Outlet	1 ¹ / ₂ " B.S.P. gravity fed



INSTALLATION

4

1. Remove the packing materials from the machine, including inside the chamber.
2. Remove the front panel, position the machine and level by screwing the adjustable feet.
3. Fit a line strainer to the water supply.
4. Connect the hot water supply hose to a $\frac{3}{4}$ " B.S.P. isolating valve (see Figure 1). The hot water input supply should be at 65°C and 200 to 400 kPa. A pressure reducing valve should be fitted for pressure above 400 kPa.
5. Connect the $1\frac{1}{2}$ " B.S.P. gravity drain via a $1\frac{1}{2}$ " trap to the drain outlet (see Figure 1). This can be plumbed to a nearby sink waste pipe at floor level. For machines fitted with a drain pump option, connect the supplied drain hose to a nearby sink trap spigot.

Do not make water or plumbing connections that will prevent the machine from being removed from position, for the purpose of servicing.

Note that all plumbing work is to be done in accordance with local plumbing codes.

6. Ensure that the rotary switch is "OFF" and connect the three pin plug lead to a 15 Amp, 240V, 50Hz, 1 phase power outlet.

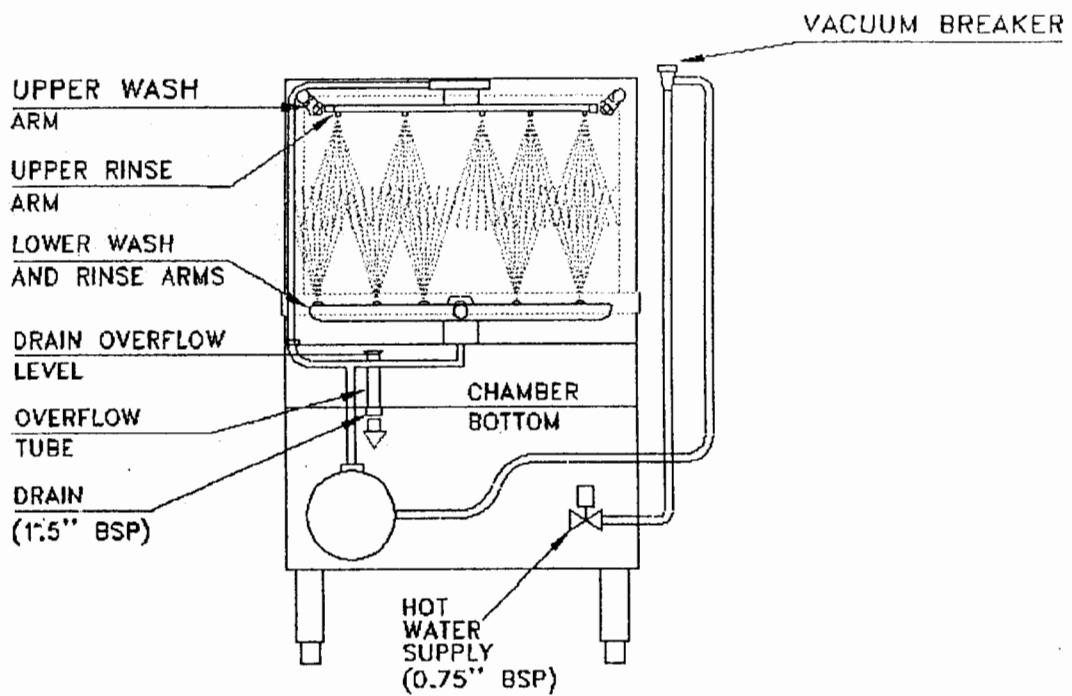


Figure 1: Internals of the UC25.

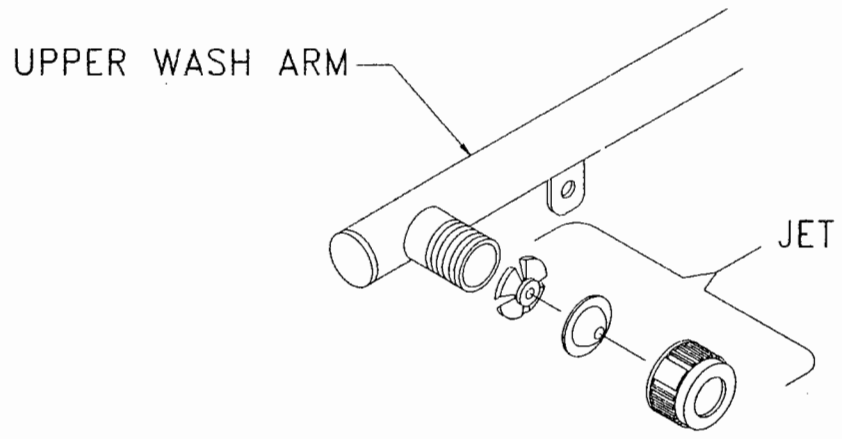
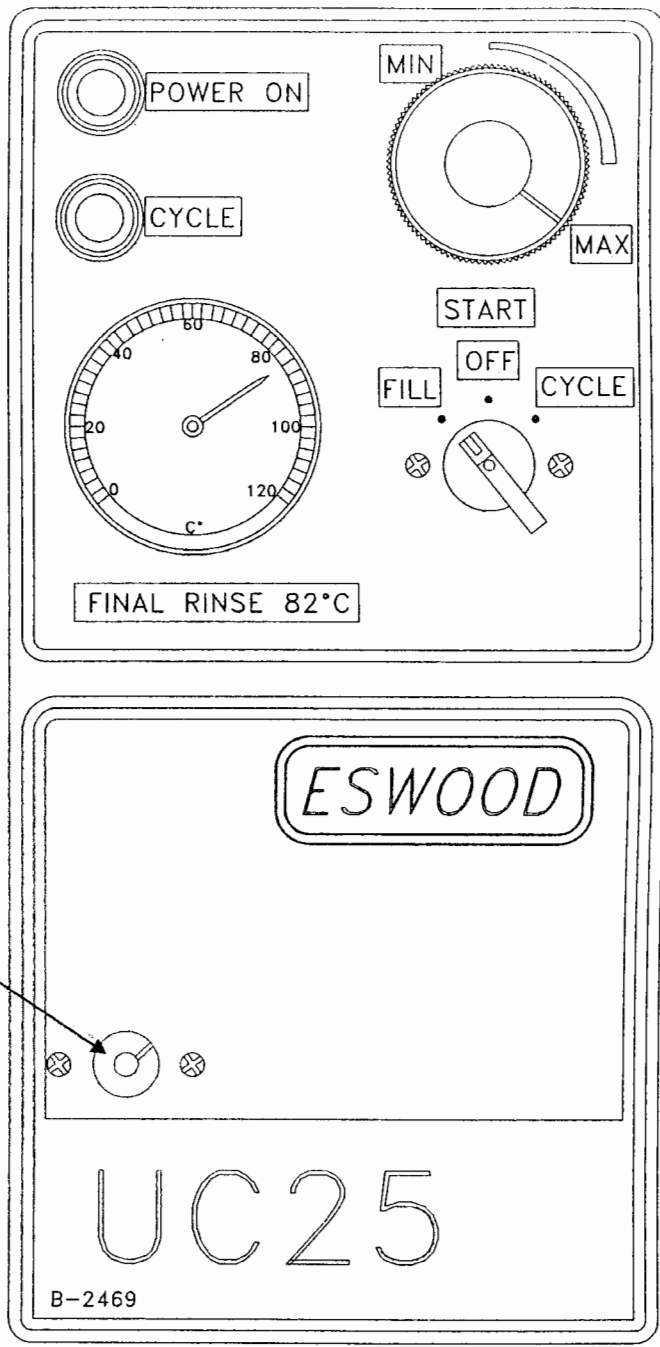


FIGURE 2: UPPER WASH TUBE JETS



LOW TEMP. CONTROL

CONTROL PANEL UC-25



INITIAL START-UP PROCEDURE

5

1. With the rotary switch "OFF" turn the water and power on.
2. Open the door, remove the overflow tube (see Figure 2) and strainer pans (see Figure 3) and close the door.
3. The machine is fitted with an automatic rinse aid injector. Place the free end of the 10mm clear plastic tube, located under the machine, into a 4 Litre or other suitable container of rinse aid. The unit will prime itself after 6 to 8 cycles.

The injector must not run without rinse aid. Do not use wrong products as they will void the warranty, and use product in accordance with manufacturers' recommendations.

4. Turn switch to "FILL" and turn the bezel on the "START" button to 2 O'Clock. Press "START" and the booster will begin to fill with water. When the booster is full, the water will flow out of the rinse jets and down the drain.

This ensures that all air is expelled from the rinse cylinder and that the heating elements are safely covered with water.

5. Open the door and insert the overflow tube, then place the centre cover over the overflow tube and the strainer pans on each side. Close the door and press the "START" button. This will fill the wash tank and stop automatically at the end of the cycle.
6. Turn the rotary switch to "CYCLE" and depress the "START" button. The machine will not start until the water in the booster has reached 82°C, as indicated by the temperature gauge. At this temperature, or above, the machine will start and stop automatically.
7. Check for leaks.

8. Turn the rotary switch "OFF", open the door and remove the overflow tube to drain the machine.

To drain machines fitted with a drain pump, turn switch to "DRAIN", close the door and press "START". After 15 to 20 seconds open the door, remove the strainers and overflow tube and close the door. The machine will continue to drain and will stop automatically.

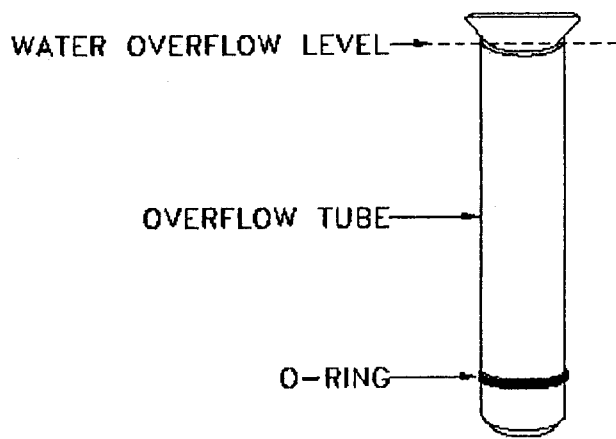


Figure 2: Overflow tube

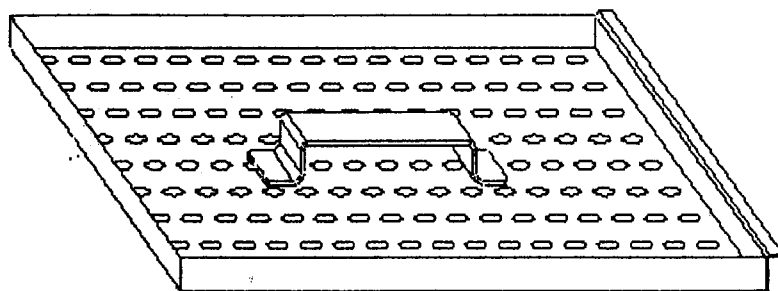


Figure 3: Strainer pan.



WASHING OPERATION

6

1. Check the level of rinse aid and fill when necessary. Also check that the strainers are clean and that the strainers, overflow tube and overflow tube cover are in position.
2. Close the door, turn switch to "FILL" and press the "START" button. The cycle light illuminates while the machine is filling.
3. When the machine has finished filling, open the door and check that the water level is up to the overflow level. Repeat step 2 if the overflow level has not been reached (and see 8. Trouble Shooting).
4. Turn switch to "CYCLE" to activate the wash heater element.
5. To adjust the cycle time, position the black line on the bezel, which is located around the start button, according to the degree of soiling on the dishware. For heavy soiling use a long cycle (bezel fully clockwise) and for light soiling use a short cycle.
6. Scrape off any loose food matter and place the dirty items in an appropriate rack. Open the door and add half a cup of commercial grade detergent, slide the rack into the machine and press the "START" button. The cycle light illuminates during the cycle.

When loading racks, face the plates towards the door and load the small items at the front and the large items at the back.

Note that the cycle will not begin until the water in the booster has reached 82°C.

7. When the washing is finished, open the door and remove the clean rack. To wash another rack repeat from step 5. After every four to five washes add 1/4 cup of detergent.

Note that the "START" button should not be re-pressed until the wash cycle is complete.



SHUTDOWN AND MAINTENANCE

7

1. Turn the rotary switch "OFF".
2. Remove the overflow tube and drain the wash tank. If a drain pump is fitted, drain the machine as previously explained in section 5.8.
3. To flush out food scraps from the inside of the machine, close the door, turn the rotary switch to "FILL" and press the "START" button. At the end of the cycle turn the switch to "OFF".
4. Remove the strainers and clean them under a tap. Then replace the strainers and overflow tube.
5. Check that the rinse and wash arms and jets are free of foreign matter. If necessary, remove the arms and jets and clean both top and bottom wash jets.
Note: Once every week both bottom and top jets need to be removed and cleared properly and refitted. Refit bottom jet tighten thrust screw and refit top sprays.(see fig. 2. pg. 5)
6. Clean the exterior of the machine with a damp sponge. Do not pass water over the electrical controls and avoid abrasive or strong detergents.
7. Check for leaks and ensure that the arms rotate freely.
8. Leave the door open to allow the machine to air.



TROUBLE SHOOTING

8

Problem

Possible cause and remedy

When machine is turned on, red power light does not illuminate

(a) Check that main isolating switch is turned on and fuses are okay.

(b) Power light may be burnt out. If so, replace it (this will not stop machine from operating though).

Machine will not start

(a) Ensure that the rinse temperature has reached 82°C.

(b) Check operation of the door switch.

Machine not filling correctly and/or filling continuously

(a) Check if water isolating valve is fully open, and check for obstructions in the water supply line.

(b) Check if overflow pipe is seated correctly in wash tank, and check for foreign matter under the O-ring of the pipe.

(c) Check for obstruction in the water supply solenoid valve and clean if necessary. Check diaphragm and replace if punctured.



Problem

Possible cause and remedy

Poor wash

- (a) Check that detergent feeder to machine is operating correctly, if fitted.
 - (b) Check for foreign matter in wash arm jets. Clean top and bottom jets if necessary.
 - (c) Check that items to be washed are correctly placed in racks.
 - (d) Check temperature of tanks. If incorrect check thermostat settings and heating elements.
 - (e) Check that the wash pump is functioning.
-

Incorrect temperature of wash tank

- (a) Check thermostat setting.
 - (b) Check heating element.
-

Poor rinse

- (a) Check that water pressure to machine is not less than 200 kPa. If so, ensure that the water isolating valve is fully open.
 - (b) Check rinse jets for foreign matter and clean if necessary.
 - (c) Check that the water supply solenoid valve is functioning correctly.
 - (d) Check that the line strainer is not partially blocked. If so, remove and clean filter.
-



Problem

Possible cause and remedy

Insufficient rinse

(a) Ensure that temperature of incoming temperature water supply is at least 65°C.

(b) Check that boiler thermostat is set correctly and functioning.

(c) Check element controls as appropriate.



UC25 EXPORT MODEL

9

The UC25 supplied for export differs from Australian models as follows:

1. A rinse pressure booster pump is fitted as standard to cope with incoming hot water pressure as low as 47 kPa. The hot water supply hose should be fitted to the rinse pump and not to the $3/4$ " B.S.P. isolating valve as stated in section 4.4.
2. Export machines are fitted with a liquid detergent injection system. This replaces the rinse aid (a drying agent) injection setup, however the comments in section 5.3 still apply to the detergent injection. Rinse aid injection is available as an optional extra.
3. Vacuum breakers are not fitted to export machines, but are available as an optional extra. Please disregard the vacuum breaker shown in Figure 1.



ESWOOD AUSTRALIA BRANCHES

10

For inquiries please call your nearest state branch:

Goldstein-Eswood (Head office)
211-213 Woodpark Road,
Smithfield,
New South Wales, 2164.
Phone: (02) 9604 7333
Fax: (02) 9604 5420

Eswood Australia Pty Ltd
Unit 13,
260-264 Wickham Road,
Moorabbin,
Victoria, 3189.
Phone: (03) 9553 1355
Fax: (03) 9553 0785

Eswood Australia Pty Ltd
Unit 3,
49 Logan Road,
Woolloongabba,
Queensland, 4102.
Phone: (07) 3891 1466
Fax: (07) 3393 1333

Eswood Australia Pty Ltd
Suite 26,
283-287 Sir Donald Bradman Drive
Brooklyn Park,
South Australia, 5032.
Phone: (08) 8238 3423
Fax: (08) 8238 3400

Eswood Australia Pty Ltd
10 Wittenberg Drive,
Canning Vale,
Western Australia, 6155.
Phone: (08) 9456 0559
Fax: (08) 9456 0554